



CAT 216B Skid Steer

Available for
hire.

Short or Long
term use.

Mine Site or
Civil Project.

Contact Jemrok
today.



CAT 216B Skid Steer Capabilities

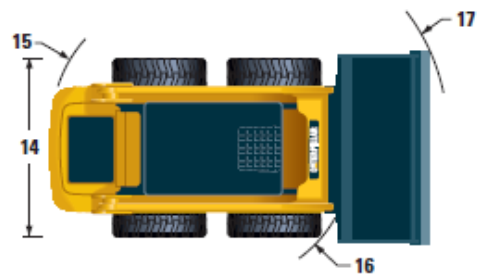
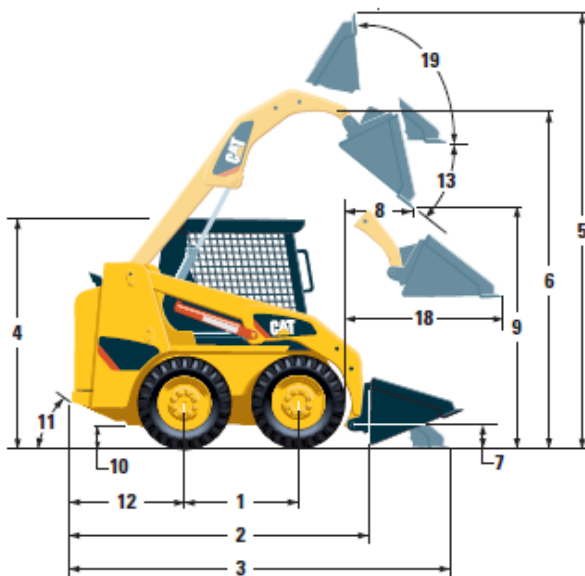
The Cat® 216B Skid Steer Loader, with its radial lift design,

- Advanced hydraulic system is designed for maximum power delivers excellent digging performance with outstanding drawbar power. and reliability.
- Easy routine maintenance helps reduce machine downtime for
- Ergonomic operator station features easy to use pilot operated joystick greater productivity.

CAT 216B Skid Steer Dimensions

Dimensions*

1 Wheelbase	986 mm	39 in	11 Departure Angle	26°	
2 Length w/o Bucket	2519 mm	99 in	12 Bumper Overhang Behind Rear Axle	967 mm	38 in
3 Length w/Bucket on Ground	3233 mm	127 in	13 Maximum Dump Angle	40°	
4 Height to Top of Cab	1950 mm	77 in	14 Vehicle Width over Tires	1525 mm	60 in
5 Maximum Overall Height	3709 mm	146 in	15 Turning Radius from Center – Machine Rear	1502 mm	59 in
6 Bucket Pin Height at Maximum Lift	2854 mm	112 in	16 Turning Radius from Center – Coupler	1195 mm	47 in
7 Bucket Pin Height at Carry Position	200 mm	8 in	17 Turning Radius from Center – Bucket	1944 mm	77 in
8 Reach at Maximum Lift and Dump	505 mm	20 in	18 Maximum Reach w/Arms Parallel to Ground	1291 mm	51 in
9 Clearance at Maximum Lift and Dump	2169 mm	85.4 in	19 Rack Back Angle at Maximum Height	81°	
10 Ground Clearance	195 mm	8 in			



Contact Us

David Cooper

Engineering Manager

ph: 03 6442 2699

m: 0437 100 299

e: david.cooper@jemrok.com.au

Scott St Clair

Operations Manager

ph: 03 6442 2699

m: 0439 321 738

e: scott@jemrok.com.au