



## Mitsubishi Canter 715 Tipper Truck

Available for  
hire.

Short or Long  
term use.

Mine Site or  
Civil Project.

Contact Jemrok  
today.



## Mitsubishi Canter 715 Capabilities

### A blend of simplicity and capability

- Duonic transmission is outstanding
- Smooth running 3-litre engine
- Driver's suspension seat
- Space in wide cab

## Mitsubishi Canter 715 Dimensions

**Make/Model:** Fuso Canter 715 Short Wheelbase Tipper

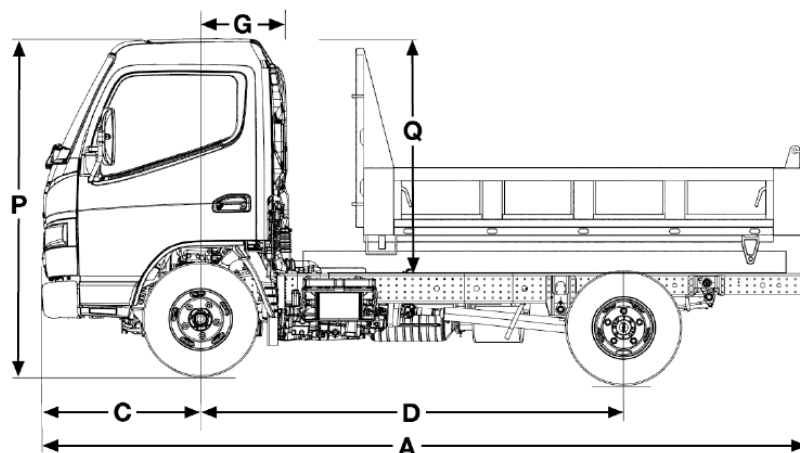
**Engine:** 3-litre four-cylinder engine, four valves per cylinder, Bosch electronically controlled common rail fuel injection with variable geometry turbocharger

**Output:** 110kW@2,840-3,500rpm/370Nm@1,350-2,840rpm

**Emission Control:** Euro 5 with EGR and DPF

**Transmission:** Duonic 6-speed automated manual dual clutch transmission with wet clutch

**GVM/GCM:** 6,500kg/8,000kg — can be derated to 4,500kg GVM



## Contact Us

David Cooper

Engineering Manager

ph: 03 6442 2699

m: 0437 100 299

e: [david.cooper@jemrok.com.au](mailto:david.cooper@jemrok.com.au)

Scott St Clair

Operations Manager

ph: 03 6442 2699

m: 0439 321 738

e: [scott@jemrok.com.au](mailto:scott@jemrok.com.au)