



## Wacker Neuson 3001 Wheel Dumper

Available for  
hire.

Short or Long  
term use.

Mine Site or  
Civil Project.

Contact Jemrok  
today.



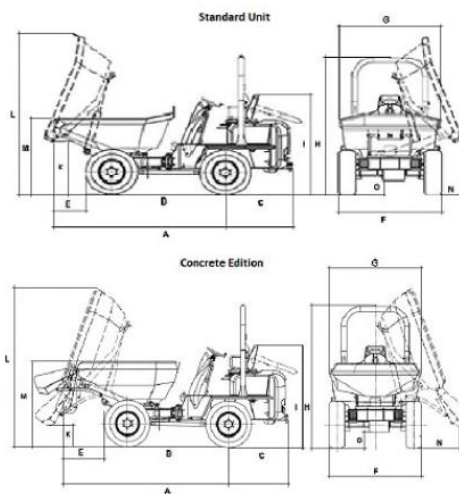
## Wacker Neuson 3001 Capabilities

- Operator station is easily accessible from both sides for added convenience.
- Swivel bucket allows material to be unloaded on either side of the unit for ultimate versatility.
- Four-wheel drive provides perfect traction in difficult terrain. Articulated steering with central hose routing allows for tight turning

## Wacker Neuson 3001 Dimensions

### 3001 Tier IV

	Swivel tip skip	Swivel tip skip - Concrete Edition
<b>Operating data</b>		
Payload lb	6,614	6,614
Shipping weight ROPS lb	5,622	5,842
Shipping weight Cabin lb	5,842	
Skip capacity - Leveled yd <sup>3</sup>	1.73	2.11
Skip capacity - Heaped yd <sup>3</sup>	2.34	2.59
Skip capacity - Water yd <sup>3</sup>	1.22	1.48
<b>Engine / Motor</b>		
Engine / Motor manufacturer	Perkins	Perkins
Engine / Motor type	403F-15T	403F-15T
Engine / Motor	Diesel	Diesel
Engine performance - ISO 3046/1 hp	36.2	36.2
Displacement in <sup>3</sup>	91.3	91.3
Engine RPM rpm	2800	2800
Travel speed mph	13.7	13.7
Articulation angle °	37	37
Pendulum angle °	15	15
Turning radius in	151.6	151.6



## Contact Us

David Cooper

Engineering Manager

ph: 03 6442 2699

m: 0437 100 299

e: [david.cooper@jemrok.com.au](mailto:david.cooper@jemrok.com.au)

Scott St Clair

Operations Manager

ph: 03 6442 2699

m: 0439 321 738

e: [scott@jemrok.com.au](mailto:scott@jemrok.com.au)